

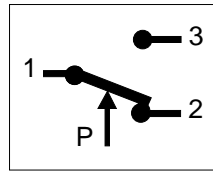
PRESSURE SWITCHES



Gas Pressure Switch 310 Series



Wiring plan



Accessories

Cover IP 44 with screws	0.904.329
Fixing bracket for G 1/4 connection with screws	0.978.403
Fixing bracket for G 1/8 connection with screws	0.978.404
Fixing bracket \varnothing 16 mm with screws	0.978.405

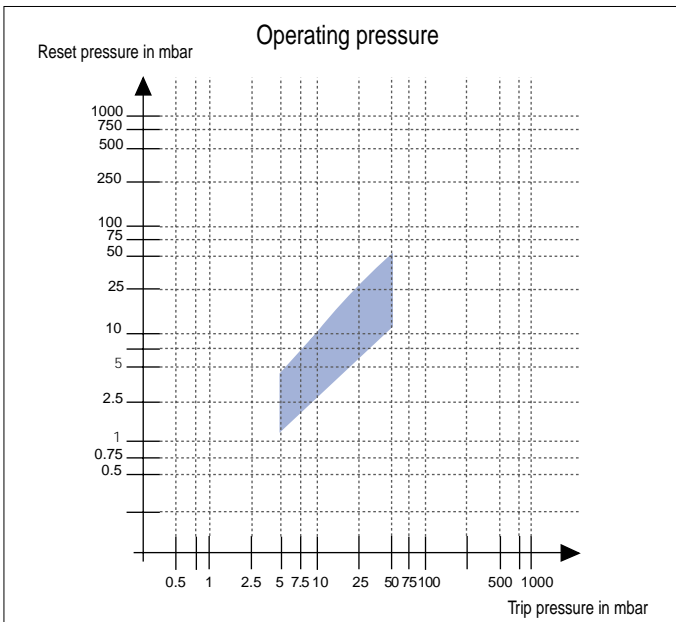
Applications

Compact gas pressure switch designed to monitor gas pressure and activate switch contacts accordingly. The pressure switch can be used autonomously or integrated into a multi-functional gas control.

Operating range

From 5 to 50 mbar, factory set trip and reset pressures.

When the set trip (or reset) pressure has been defined, the admitted reset (or trip) values are defined in the coloured area of the diagram.



Pressure connections

Version with Plastic Body		Version with Brass Body	
Hose \varnothing	6.5 mm 10.0 mm	Thread	M 10x1 G 1/8 G 1/4
<i>Other versions available on request</i>			

Approvals

Versions with brass body are CE approved. The electrical switch is approved by VDE and in compliance with CE requirements.

Versions

Versions are available assembled with:

- inlet filter
- restrictors, dia. 0.3 / 0.5 / 0.8 mm

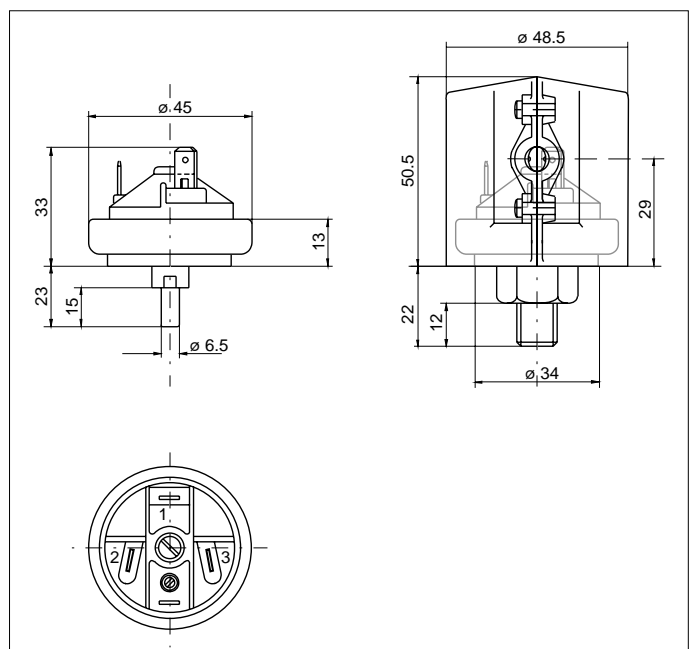
Technical data

Max. operating pressure	150 mbar
Ambient temperature	0...80°C
Trip setting tolerance	\pm 10%
Reset setting tolerance	\pm 10% of trip setting
Mounting position	any position
For use with	1 st , 2 nd & 3 rd gas families

Electrical data

AgCdO contacts	6 (1.5) A / 250 V ~
Gold-plated contacts	< 0.1 A / 24 V =
Electrical connections	male AMP connectors 6.3 x 0.8 EN 60730-1

Dimensions



Adjustable Gas Pressure Switch 360 Series Prescal



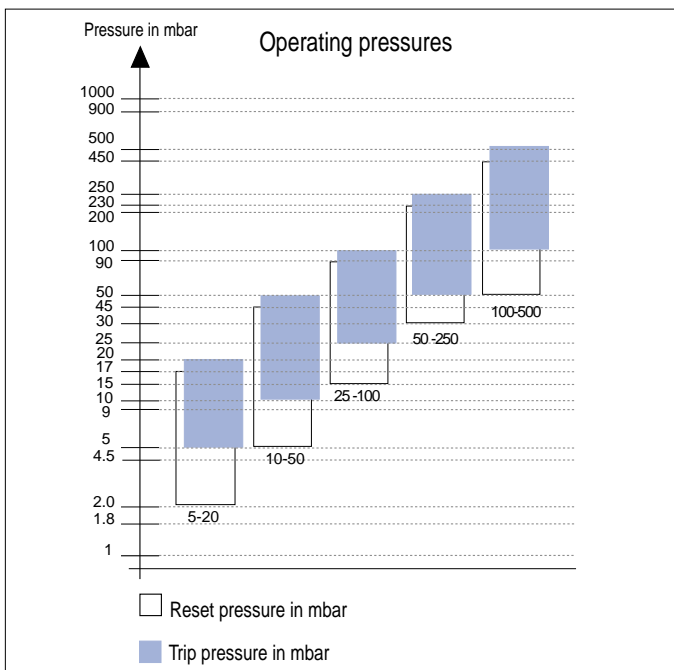
Applications

Gas pressure switch with adjustable trip pressure suitable for various applications. The pressure switch can be used autonomously or integrated into the multi-functional gas control.

Operating range

The diagram shows the versions available with their associated trip and reset setting ranges.

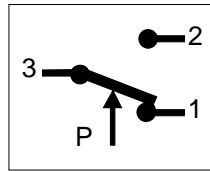
Trip pressure setting range	Constant switching differential	Max. operating pressure
5 to 20 mbar	3 mbar	500 mbar
10 to 50 mbar	5 mbar	500 mbar
25 to 100 mbar	10 mbar	500 mbar
50 to 250 mbar	20 mbar	1000 mbar
100 to 500 mbar	50 mbar	1000 mbar



Technical data

Ambient temperature	0...85°C
Trip setting tolerance	±10%
Tolerance of differential	±5%
Mounting position	any position
For use with	1 st , 2 nd & 3 rd gas families

Wiring plan



Electrical data

AgCdO contacts	6 (1.5) A / 250 V ~
Gold-plated contacts	< 0.1 A / 24 V =
Electrical connections	male AMP connectors 6.3 x 0.8 EN 60730-1

Accessories

Cover IP 44 with screws	0.904.329
Fixing bracket for G 1/4 connection with screws	0.978.403
Fixing bracket for G 1/8 connection with screws	0.978.404
Fixing bracket ø 16 mm with screws	0.978.405

Pressure connections

Plastic Body		Brass Body	
Hose ø	6.5 mm 10.0 mm	Thread	M 10x1 G 1/8 G 1/4
<i>Other versions available on request</i>			

Approvals

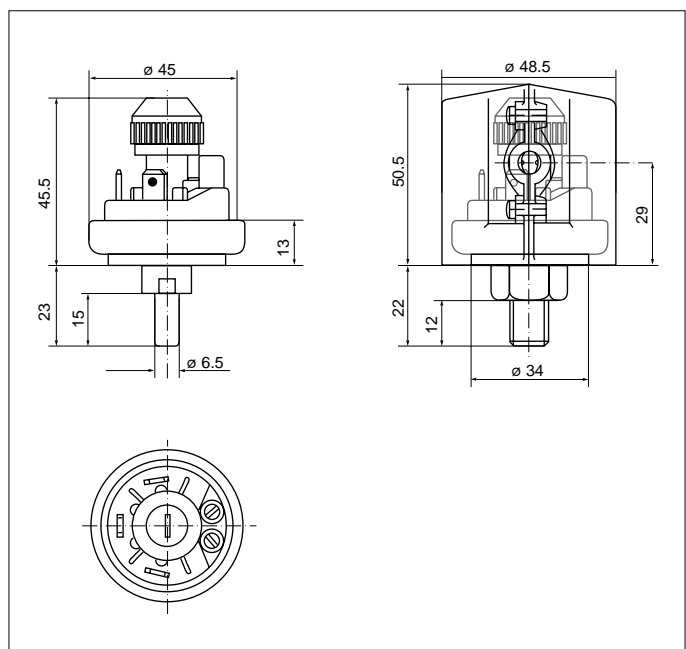
Versions with brass body are DVGW approved according to DIN 3398 part 1. The electrical switch is approved for 6 (1.5) A in accordance with VDE 0630.

Versions

Versions are available assembled with:

- inlet filter
- restrictors, dia. 0.3 / 0.5 / 0.8 mm

Dimensions



Water Pressure Switch 340 Series



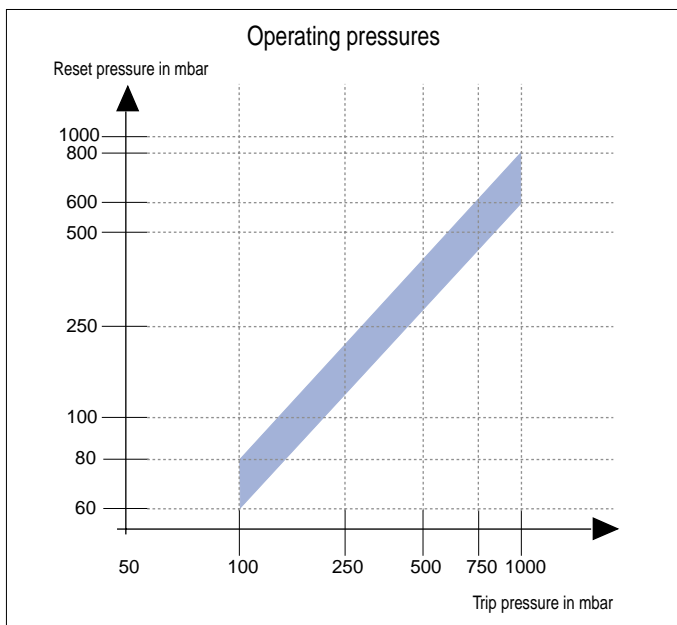
Applications

Compact water pressure switch particularly suitable for use in Combi-Boilers and many other pressure monitoring applications.

Operating range

From 0.1 to 1 bar, factory set trip and reset pressures.

When the set trip (or reset) pressure has been defined, the admitted reset (or trip) values are defined in the coloured area of the diagram.



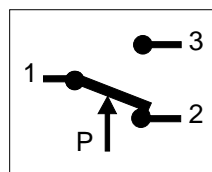
Technical data

Maximum operating pressure	15 bar
Ambient temperature	0...85°C
Trip setting tolerance	±10%
Reset setting tolerance	±10% of trip setting
Mounting position	any position
Pressure connection	G 1/4 , G 1/8, M 10x1
	<i>Other versions on request</i>

Electrical data

AgCdO contacts	6 (1.5) A / 250 V ~
Gold-plated contacts	< 0.1 A / 24 V =
Electrical connections	male AMP connectors 6.3 x 0.8 EN 60730-1

Wiring plan



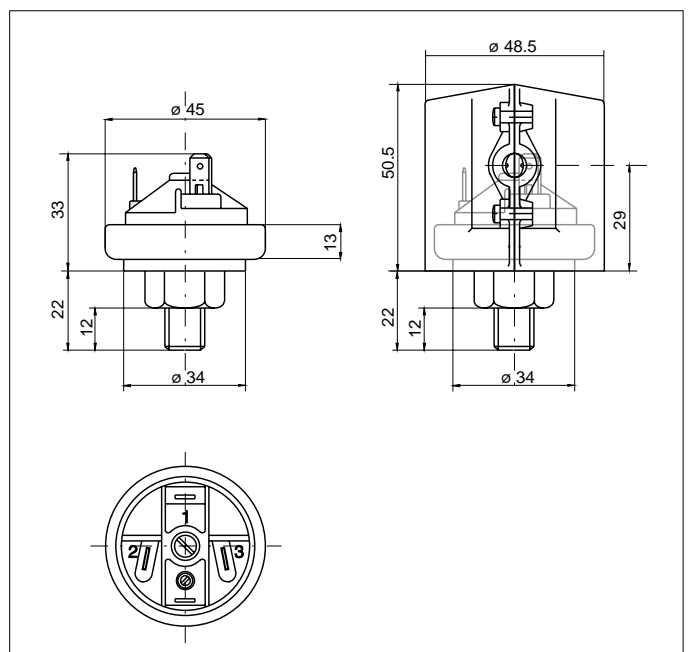
Accessories

Cover IP 44 with screws	0.904.329
Fixing bracket for G 1/4 connection with screws	0.978.403
Fixing bracket for G 1/8 connection with screws	0.978.404
Fixing bracket ø 16 mm with screws	0.978.405

Approvals

The electrical switch is approved by VDE and in compliance with CE requirements.

Dimensions



Differential Air Pressure Switch 380 Series

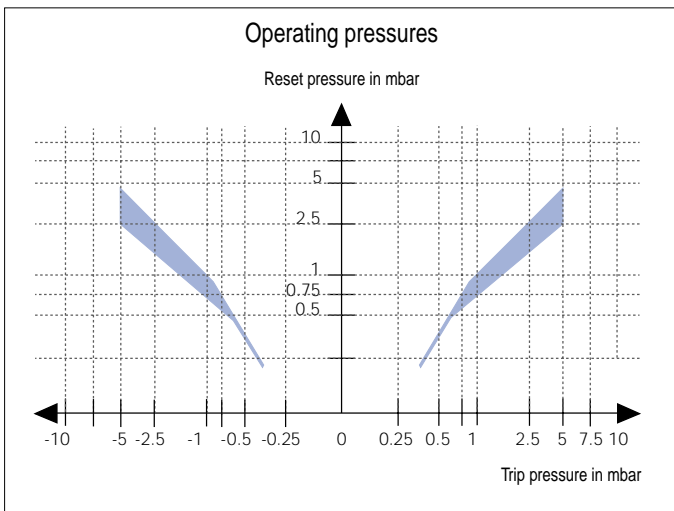


Applications

Differential air pressure switch suitable for use on all gas appliances with a fan forced combustion circuit.

Operating range

From 0.4 to 5 mbar, factory set trip and reset pressures. When the set trip (or reset) pressure has been defined, the admitted reset (or trip) values are defined in the coloured area of the diagram.



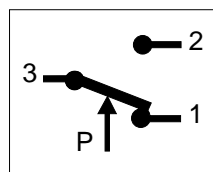
Technical data

Max. operating pressure	50 mbar
Ambient temperature	0...85°C
Trip setting tolerance	± 10%
Reset setting tolerance	± 10% of trip value
Pressure connections	6 mm dia. hose
Standard mounting position	diaphragm vertical

Electrical Data

AgCdO contacts	1.5 (0.4) A / 250 V ~
Gold-plated contacts	< 0.1 A / 24 V =
Electrical connections	male AMP connectors 6.3 x 0.8 EN 60730-1

Wiring plan



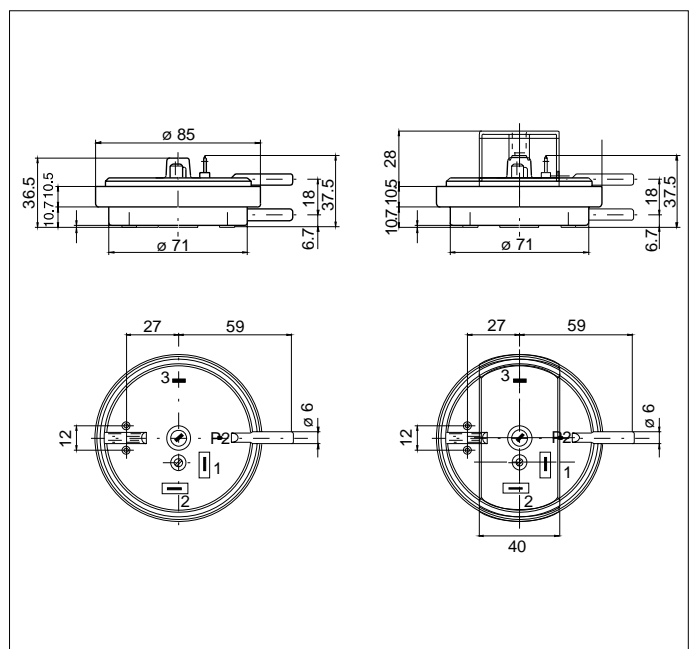
Accessories

Plastic cover for 380 series with screws	0.904.344
Cable restraint for 380 series with screws	0.978.448
Fixing bracket L type with screws	0.978.401
Fixing bracket S type with screws	0.978.402

Approvals





All versions are CE approved. The electrical switch is approved by VDE and in compliance with CE requirements.

Dimensions



The most suitable pressure switch for your application

To help us to understand the specific needs of your application, please complete the questionnaire below.

Medium to control:		Desired electrical rating:	_____ V
<input type="checkbox"/> air			_____ A
<input type="checkbox"/> gas			
<input type="checkbox"/> water			
Temperature of the medium:	_____ °C	Number of switch operations	_____ per day/month/year
Ambient temperature where pressure switch is located	min _____ °C max _____ °C	Diaphragm mounting position	
Maximum operating pressure	_____ mbar	<input type="checkbox"/> horizontal upwards 	<input type="checkbox"/> horizontal downwards 
		<input type="checkbox"/> vertical 	<input type="checkbox"/> tilted at...° 
Pressure value to control:		Pressure connections	
<input type="checkbox"/> minimum		<input type="checkbox"/> ø 6 mm	<input type="checkbox"/> G 1/4"
<input type="checkbox"/> maximum		<input type="checkbox"/> G 1/8"	<input type="checkbox"/> M 10x1
<input type="checkbox"/> both		Approvals requested	
Trip pressure required	_____ mbar ± _____ mbar	<input type="checkbox"/> DVGW	<input type="checkbox"/> VDE
		<input type="checkbox"/> others _____	
Reset pressure required	_____ mbar ± _____ mbar	Accessories	
Electrical device controlled by the pressure switch	_____	Protective cover for electrical contacts	<input type="checkbox"/> Yes <input type="checkbox"/> No
		Inlet filter (gas pressure switches only)	<input type="checkbox"/> Yes <input type="checkbox"/> No
Type of electrical load:		Restrictor (gas pressure switches only)	ø _____ mm
<input type="checkbox"/> resistive		Mounting brackets	<input type="checkbox"/> Yes <input type="checkbox"/> No
<input type="checkbox"/> inductive		Type	<input type="checkbox"/> L <input type="checkbox"/> S

