



# PROFLAME SYSTEM WITH THE SPLIT FLOW FEATURE



USE AND INSTALLATION INSTRUCTIONS FOR THE "SPLIT FLOW" FEATURE

The Proflame GTS, GTMS and GTMFS systems are equipped with the Split Flow burner controller feature. The secondary burner is controlled by the Split Flow and can be open or closed by the remote control transmitter.



Fig. 1: PROFLAME Transmitter ( Split Flow function enabled ).

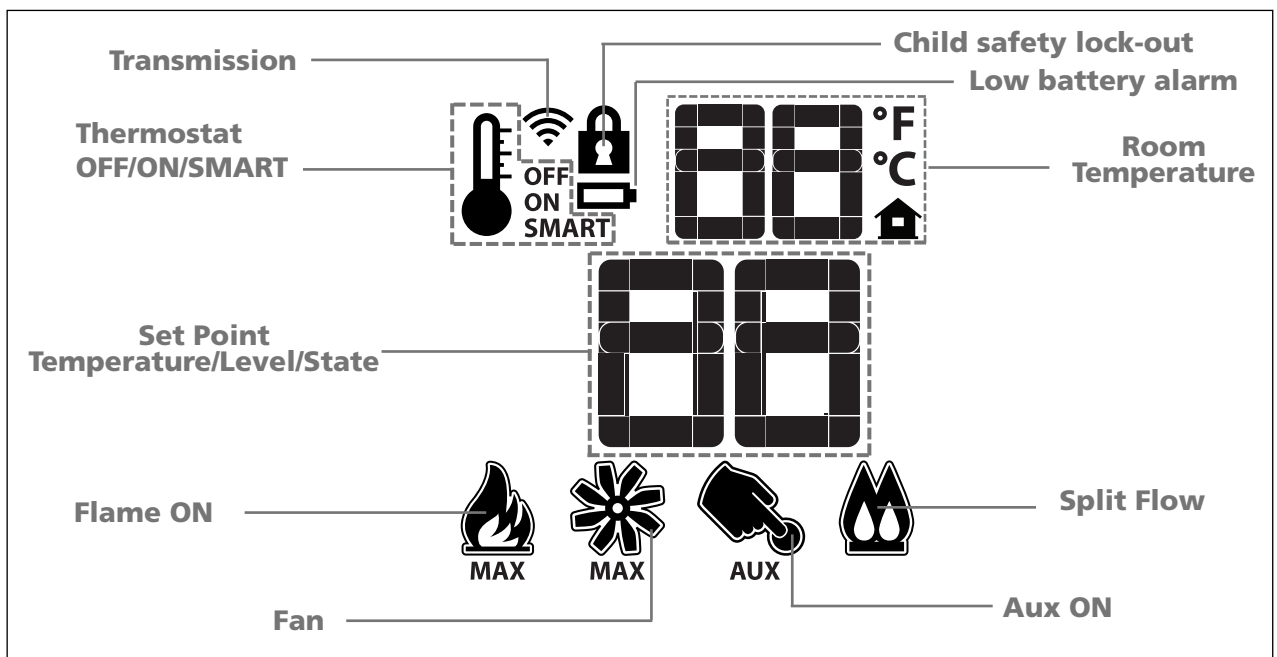


Fig. 2: Transmitter LCD display ( Split Flow function enabled ).

## Connecting to the gas valve & FCM & SPLIT FLOW

Connect the Split Flow connector as shown in Fig. 5.

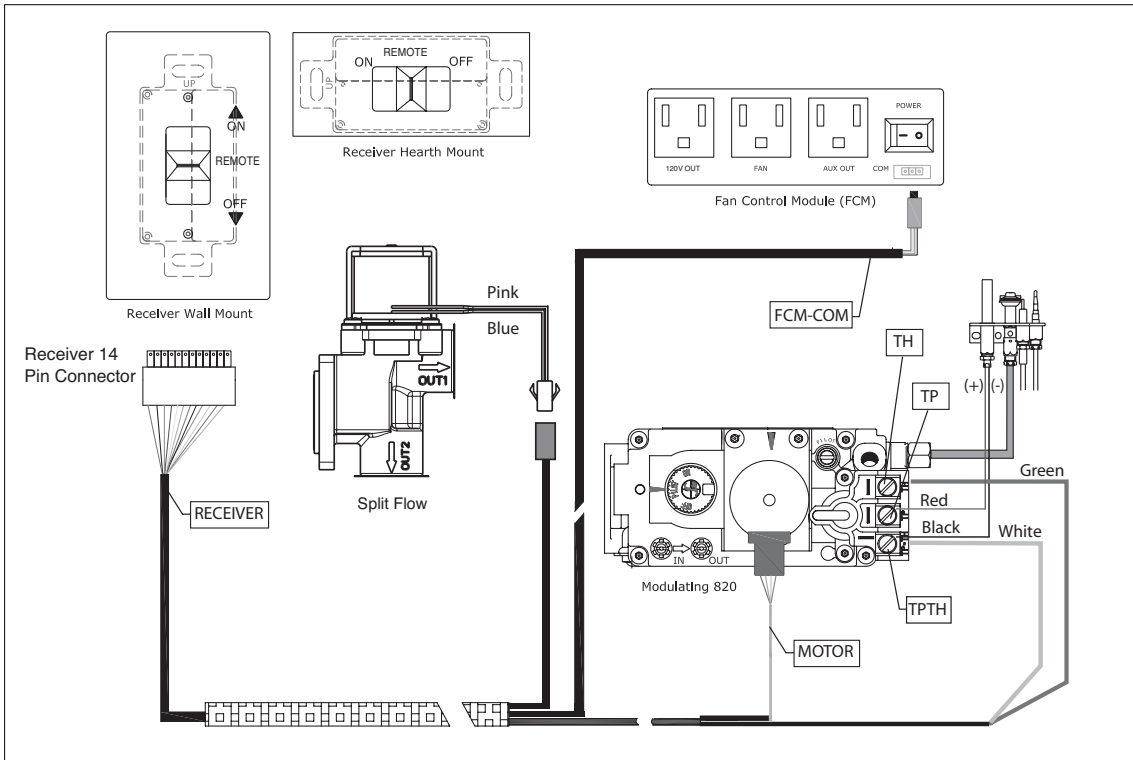


Fig. 5: Wiring diagram

## OPERATING PROCEDURE WITH SPLIT FLOW

### Split Flow

The secondary burner is controlled by the split Flow. To activate this function use the Mode Key (fig. 1) to index to the SPLIT FLOW icon (fig. 16A & 17A).

Pressing the Up Arrow Key will activate the secondary burner. Pressing the Down Arrow Key will turn the secondary burner off. A single "beep" will confirm the reception of the command.

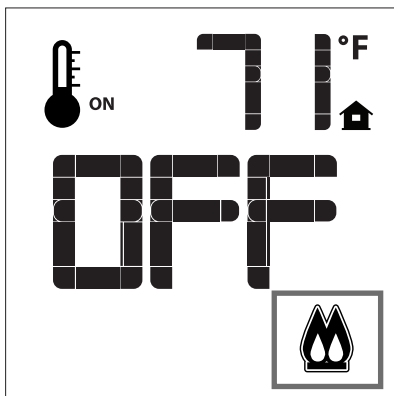


Fig. 16A

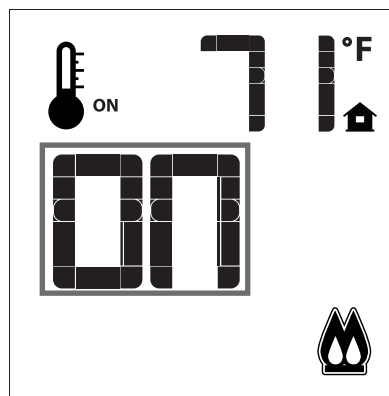


Fig. 17A

