



SIT Group

600 AC2

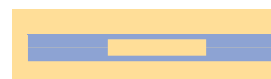
MULTIFUNCTIONAL GAS CONTROL



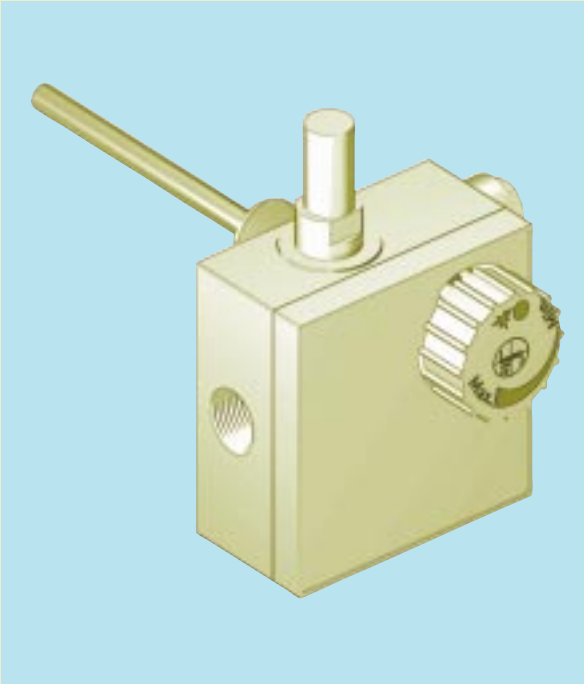
IGNITION BUTTON
CONTROL AND TEMPERATURE SELECTION KNOB

ON-OFF REGULATING THERMOSTAT

THERMOELECTRIC SAFETY DEVICE



THERMOSTATIC MULTIFUNCTIONAL CONTROL



Multifunctional safety control with thermoelectric flame failure device, pressure adjuster and on-off regulating thermostat. No external electric power supply required.

*600 AC2 is
specifically designed
for use with gas water storage heaters.*

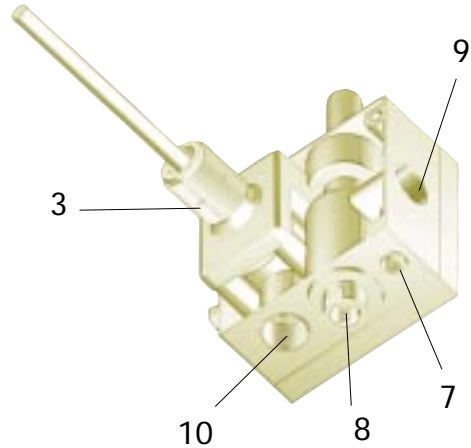
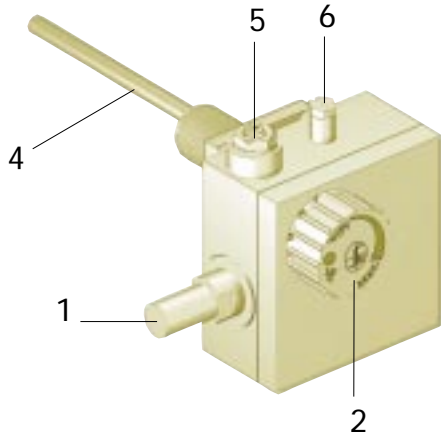
MAIN FEATURES

- Ignition button.
- Control and temperature selection knob.
- Thermoelectric flame failure device.
- Pressure adjuster.
- On-off type thermostat.
- Pilot outlet.
- Outlet pressure test points.

Data refer to EN 126

DESCRIPTION

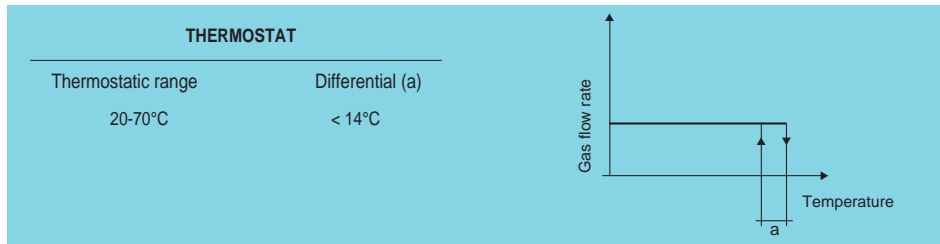
- | | |
|--|---|
| <ul style="list-style-type: none"> 1 Ignition button 2 Temperature selection knob 3 Water connection 4 Adjustment thermostat bulb 5 Pressure adjustment screw | <ul style="list-style-type: none"> 6 Outlet pressure test point 7 Pilot outlet 8 Thermocouple connection 9 Gas inlet 10 Gas outlet |
|--|---|



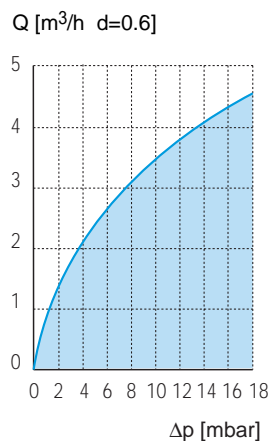
TECHNICAL DATA

- Gas connections:
- Water connections:
- Installation position:
- Gas families:
- Maximum gas inlet pressure:
- Working temperature range:

Rp 3/8 ISO 7
 RC 3/4 ISO 7 (G 3/4 on request)
 any position
 I, II and III
 50 mbar
 0 ... 80°C

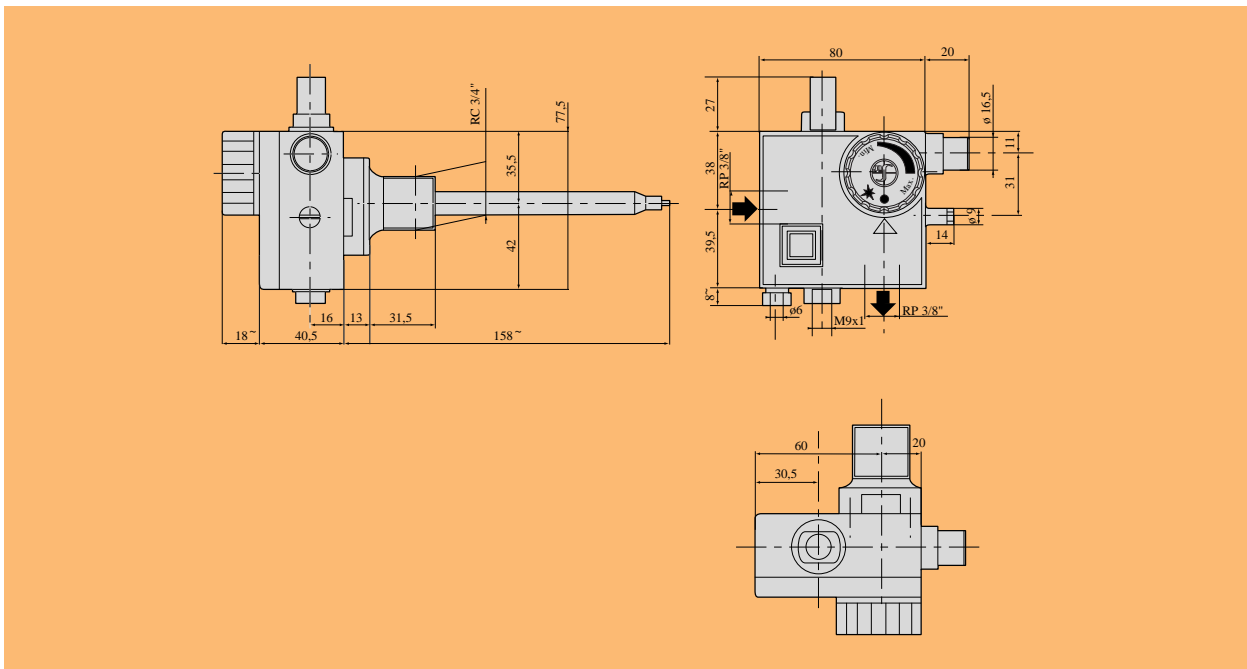


FLOW RATE AS A FUNCTION OF PRESSURE DROP



Standard		
I Family (d = 0.45)	Q = 2.8 m ³ /h	Δp = 5 mbar
II Family (d = 0.6)	Q = 2.5 m ³ /h	Δp = 5 mbar
III Family (d = 1.7)	Q = 1.5 kg/h	Δp = 5 mbar

DIMENSIONS



OPERATION

Pilot flame ignition

Turn the control and temperature selection knob to the pilot position .

Depress the ignition button and ignite the pilot flame while keeping the button fully depressed for a few seconds (fig. 1). Release the button and check that the pilot flame stays lit. If it goes out, repeat the ignition operation.

Main burner ignition

Turn the control and temperature selection knob to the point corresponding to the desired temperature (fig. 2).

Pilot position

To close the main burner and keep the pilot flame on, turn the control knob to the pilot position .

Shutdown

Turn the control knob to the OFF position (fig. 3).

CAUTION: after shutting down, wait at least two minutes before re-igniting so as to allow the flame failure device to return to the safety position.

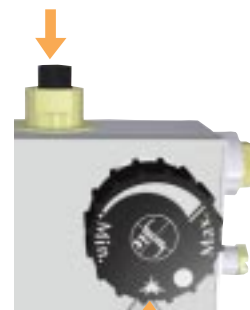


fig. 1



fig. 2



fig. 3

INSTALLATION

Main gas connection

The connection is made using gas pipes with Rp 3/8 ISO 7 threading. Torque: 25 Nm.

Water connection

The connection flange threading is Rc 3/4 ISO 7 (G 3/4 on request).

Connection to the pilot burner

Pipes with a 6 mm or 4" diameter can be used.

Use a nut and olive of appropriate dimensions. Tighten to 7 Nm torque.

SETTINGS AND ADJUSTMENTS

Setting the thermostat

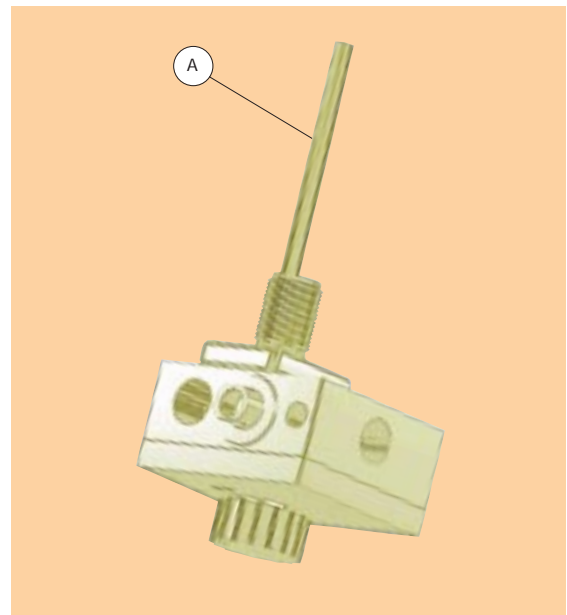
The thermostat is set and sealed in the factory (A).

Adjusting the flow rate

Screw in the screw (B) to reduce the flow or unscrew it to increase flow.

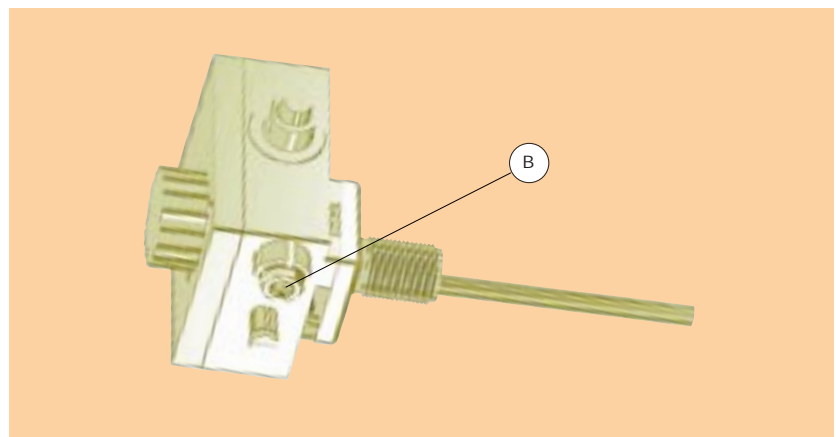
IMPORTANT

At the end of all setting and adjustment operations, check gas tightness and that the appliance is operating properly.



Adjustment thermostat bulb

Flow rate adjustment



Implement the provisions in the Use and Maintenance manual - code 9.956.600 - for installation, adjustment and use.

600 AC2



Multifunctional control
with on-off thermostat,
ignition button and
temperature selection
knob, for gas water
storage heaters.

